

057/02 Series Shielded Room Filters

High Performance Filters
100dB @ 150KHz



EMI FILTERS

LCR Electronics EMI filter capabilities can help your products meet all requirements and achieve “Mission Success” in the ultimate application. We are a uniquely integrated company for advanced design, engineering, manufacturing, testing and technical support.

LCR’s shielded room filters are UL Listed with attenuation of 100dB from 150KHz up to 10GHz. Attenuation can extend up to 40GHz when installed with proper EMI shielding and grounding. These filters are available in single, dual, three and four line models for shielded facilities.

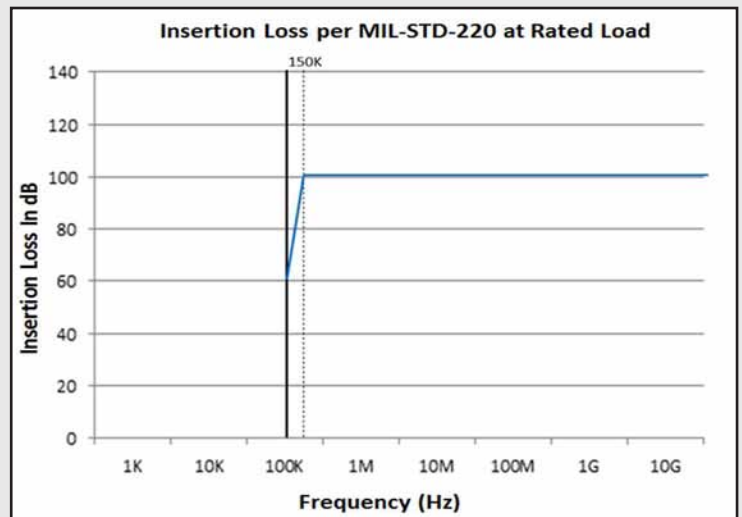
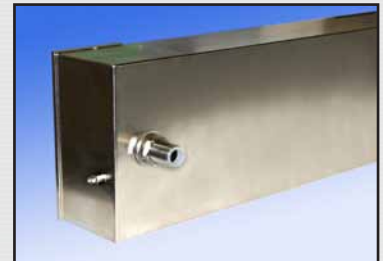
Designed for easy mounting and installation, our filters have a threaded pipe and EMI gasket (Load) and knockout inlets (Line), and meet MIL-STD 220 and CISPR 17. A user manual and installation hardware kit are provided with each unit.

LCR specializes in the design and manufacture of EMI filters and suppression components, as well as a variety of EMC testing, engineering and contract manufacturing services.

We have expertise in appliance, defense and aerospace, commercial, industrial, telecommunications and medical markets.

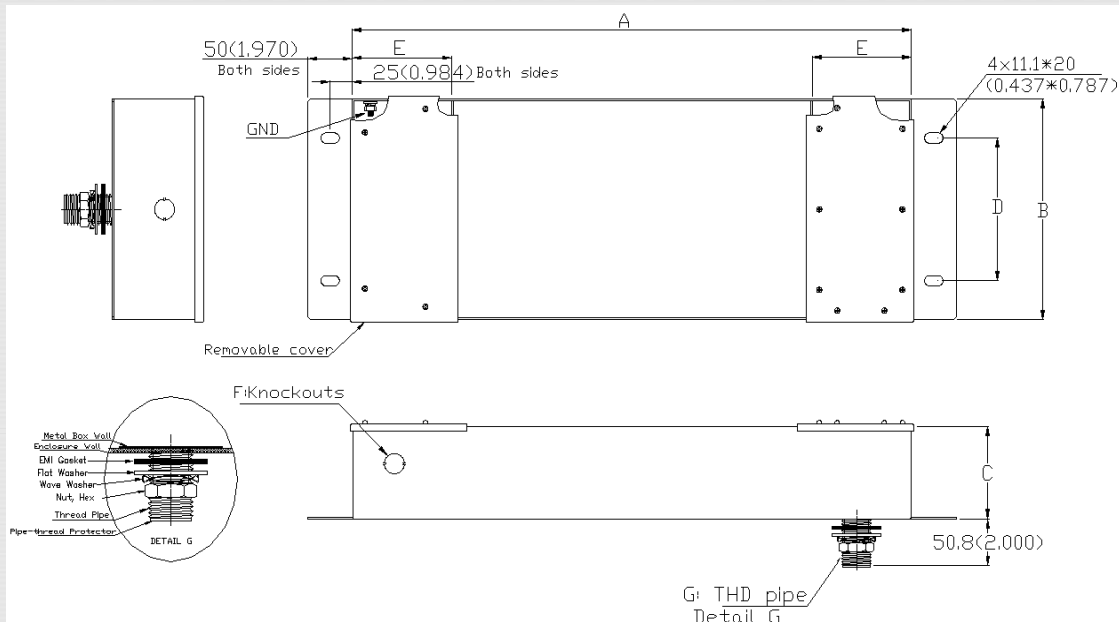
Typical Applications:

- Shielded Rooms and Facilities
- Shielded Enclosures
- Secured Communication Areas
- EMC Test Laboratories
- MRI Screened Facilities
- Mobile Units
- Anechoic Chambers
- Mobile Units
- Portable Structures
- Shielded Racks



► 057/02 Series Shielded Room Filter

SPECIFICATIONS



Rated Voltage	277 / 480 VAC
Rated Current	10A~250A @ 50C
Frequency	50/60 Hz.
Hi-Pot Rating (L-GND):	2200 VDC
Storage Temperature	From -40C to + 85C
Operating Temperature	From -40C to + 85C

Leakage Current	See table
Voltage Drop	1% max.
Overload (of rated current, 15 Minutes / hour)	40% max.
IP Standard/NEMA	> IP 65/NEMA3S
Case	Plated Steel
Climatic Category (EN 60068-1)	25/85/21

Model No.	Number of Lines	Rated Voltage (VAC)	Rated Current A@50 °C	Leakage Current @ 230V / 50Hz Nominal	Mechanical Dimension shown in mm (inch)							Terminals Interface	Unit Weight (Ref.)
					A Length	B Width	C Height	D Mounting Holes	E Inlet/Outlet Compartment	F Inlet Knockouts	G Outlet Penetration Pipe		
057.01041.00	1	277	10	1.9	460 (18.11)	110 (4.33)	100 (3.94)	80 (3.15)	110 (4.33)	22.23 (0.875)	1-11.5NPT	M6	6/13
057.03041.00		277	30	3.3	500 (19.69)	120 (4.72)	130 (5.12)	80 (3.15)	110 (4.33)	22.23 (0.875)	1-11.5NPT	M6	9/20
057.06041.00		277	60	4.1	560 (22.05)	140 (5.51)	130 (5.12)	80 (3.15)	110 (4.33)	22.23 (0.875)	1-11.5NPT	M6	12/26
057.10041.00		277	100	5.5	720 (28.35)	150 (5.91)	140 (5.51)	100 (3.94)	150 (5.90)	34.93 (1.375)	1-11.5NPT	M10	15/33
057.25041.00		277	250	5.5	720 (28.35)	200 (7.88)	140 (5.51)	100 (3.94)	150 (5.90)	34.93 (1.375)	1-11.5NPT	M12	25/55
057.01042.00	2	277/480	10	1.9	460 (18.11)	220 (8.66)	100 (3.94)	160 (6.30)	110 (4.33)	22.23 (0.875)	1-11.5NPT	M6	12/26
057.03042.00		277/480	30	3.3	500 (19.69)	240 (9.44)	130 (5.12)	160 (6.30)	110 (4.33)	22.23 (0.875)	1-11.5NPT	M6	18/39
057.06042.00		277/480	60	4.1	560 (22.05)	280 (11.02)	130 (5.12)	160 (6.30)	110 (4.33)	22.23 (0.875)	1-11.5NPT	M6	25/55
057.10042.00		277/480	100	5.5	720 (28.35)	300 (11.82)	140 (5.51)	200 (7.88)	150 (5.90)	34.93 (1.375)	1.5-11.5NPT	M10	30/66
057.25042.00		277/480	250	5.5	720 (28.35)	400 (15.76)	140 (5.51)	200 (7.88)	150 (5.90)	34.93 (1.375)	1.5-11.5NPT	M12	40/88
057.01043.00	3	277/480	10	1.9	460 (18.11)	330 (12.99)	100 (3.94)	240 (9.45)	110 (4.33)	22.23 (0.875)	1-11.5NPT	M6	20/44
057.03043.00		277/480	30	3.3	500 (19.69)	360 (14.16)	130 (5.12)	240 (9.45)	110 (4.33)	22.23 (0.875)	1-11.5NPT	M6	25/55
057.06043.00		277/480	60	4.1	560 (22.05)	420 (16.53)	130 (5.12)	240 (9.45)	110 (4.33)	22.23 (0.875)	1-11.5NPT	M6	35/77
057.10043.00		277/480	100	5.5	720 (28.35)	450 (17.73)	140 (5.51)	300 (11.81)	150 (5.90)	34.93 (1.375)	1.5-11.5NPT	M10	40/88
057.25043.00		277/480	250	5.5	720 (28.35)	600 (23.62)	140 (5.51)	300 (11.81)	150 (5.90)	44.05 (1.734)	1.5-11.5NPT	M12	50/110
057.01044.00	4	277/480	10	1.9	460 (18.11)	440 (17.32)	100 (3.94)	320 (12.60)	110 (4.33)	22.23 (0.875)	1-11.5NPT	M6	30/66
057.03044.00		277/480	30	3.3	500 (19.69)	480 (18.88)	130 (5.12)	320 (12.60)	110 (4.33)	22.23 (0.875)	1-11.5NPT	M6	35/77
057.06044.00		277/480	60	4.1	560 (22.05)	560 (22.04)	130 (5.12)	320 (12.60)	110 (4.33)	34.93 (1.375)	1.5-11.5NPT	M6	45/99
057.10044.00		277/480	100	5.5	720 (28.35)	600 (23.64)	140 (5.51)	400 (15.75)	150 (5.90)	34.93 (1.375)	1.5-11.5NPT	M10	55/121
057.25044.00		277/480	250	5.5	720 (28.35)	800 (31.50)	140 (5.51)	400 (15.75)	150 (5.90)	44.05 (1.734)	2.5-11.5NPT	M12	65/143

* WARNING: Connect filter to Ground (PE) before applying power to filter
 * Low Leakage Current units are available upon request

WARRANTY

LCR provides a limited one-year warranty for its products. A copy of the complete warranty plus other terms and conditions of sale are available upon request.

AS9100 C- ISO 9001:2008
CERTIFIED