

058-EH

EMI and EMP/HEMP Shielded Room and Enclosure Telephone, Alarm, Data and Control line Filters

RoHS



LCR 058-EH Filter in single unit enclosure

Features

High performance communication telephone, alarm, data and control line filters. These filters meet the point of entry requirements of MIL-STD-188-125-1 for short and intermediate pulses. These filters are fitted with high transient suppressors in front of the inductive input circuit, resulting in low residual currents during an EMP pulse protecting the connected equipment. Filters are designed to meet the requirements of MIL-PRF-15733 and MIL-STD-810. Attenuation (insertion loss) is measured in accordance with MIL-STD-220.

Typical Applications

Shielded rooms, communication facilities and information security applications.

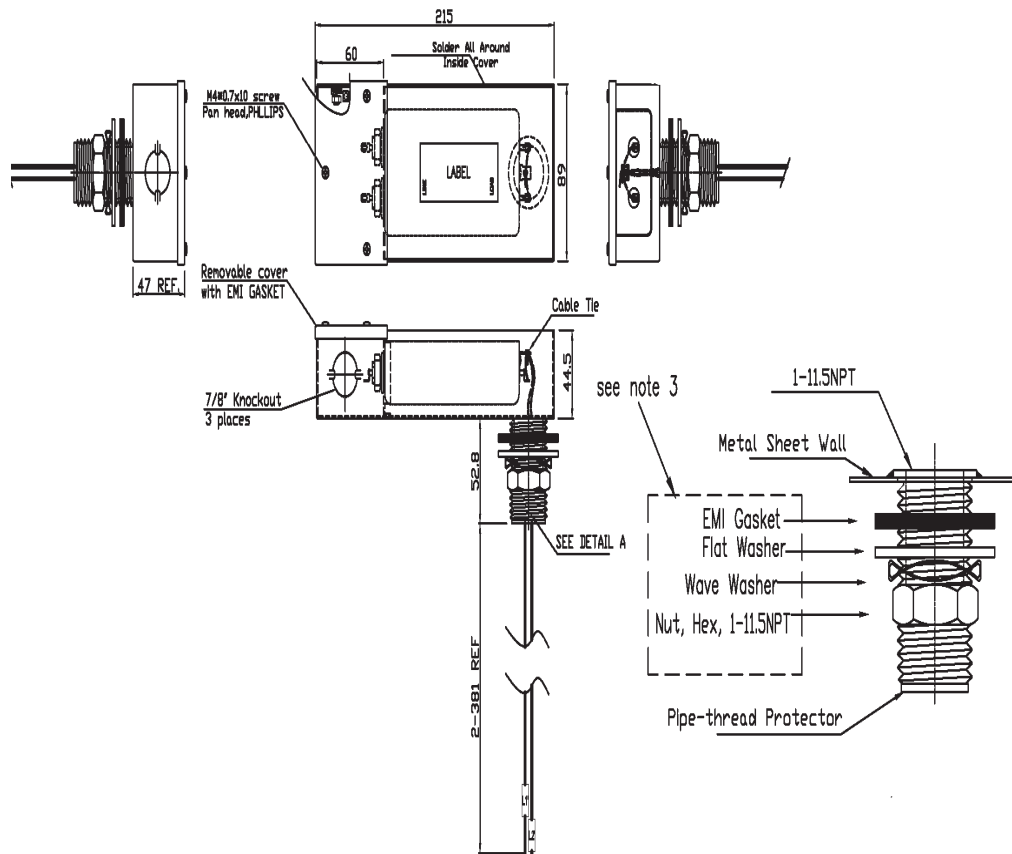
Technical Data

| | |
|-----------------------|------------------------------|
| Voltage Rating | Line to Line: Up to 300 VDC |
| Rated Current (A) | from 0.5A to 5A |
| Operating Temperature | - 40 degrees to + 85 degrees |

| Model No. | Rated Current @ 40°C | Application | System Impedance | | Insertion Loss | |
|-----------------|----------------------|-------------------------------|--------------------|----------------------|---|-----------------------|
| | | | Balanced L-L (ohm) | Unbalanced L-G (ohm) | Pass Band | Stop band (100dB Min) |
| 058.00001.00-EH | 2 X 0.5 A | Telephone Filter | 600.0 | 300.0 | 0.5dB 0-3KHz, 1.5db 5KHz Cut off frequency 6KHz, 3dB | 20 KHz-10 GHz |
| 058.10001.00-EH | 2 X 0.5 A | Data Filter | -- | -- | 1.0dB 0-15KHz, Cut off frequency 23KHz, 3dB | 150KHz- 10 GHz |
| 058.10101.00-EH | 2 X 1.0 A | Control Line Filter | -- | -- | | 14 KHz- 10 GHz |
| 058.10102.00-EH | 2 X 1.0 A | Alarm Filter - Inductor Input | -- | -- | | 14 KHz- 10 GHz |

058-EH Mechanical Outlines

For reference only



LCR 058-EH Filter (single unit enclosure)

All dimensions in mm, 1 inch=25.4 mm

- Terminal Interface: the input on all filters are equipped with solderable flag terminals accessed through 7/8" knock-outs and removable shielded cover. The output terminals are prewired with 18" flexible cables extended out through the threaded conduit pipe.
- Other specifications, requirements and customization can be provided upon request.