

RoHS



LCR 058 Filter in single unit enclosure

● Features

High performance communication telephone, alarm, data and control line filters.

● Typical Applications

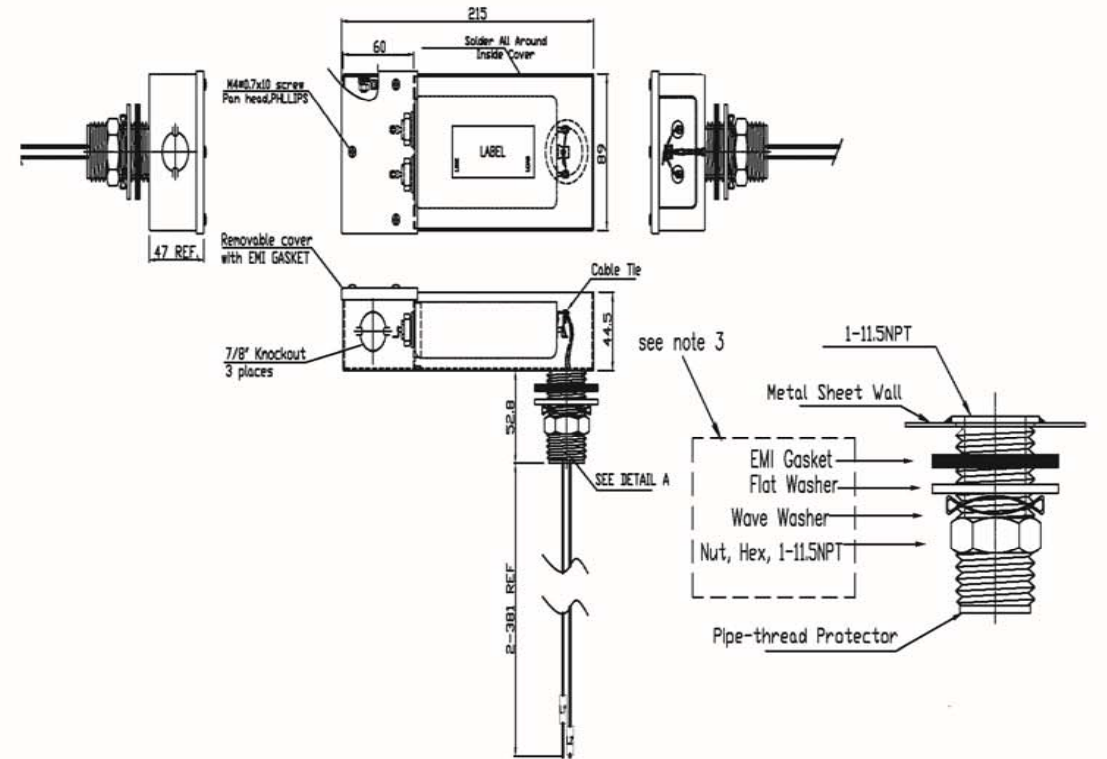
MRI rooms, shielded rooms, communication facilities and information security applications.

● Technical Data

Volatge Rating	Line to Line 600VDC/300VAC
	Line to Ground 300VDC/150VAC
Rated Current (A)	from 0.5A to 5A
Operating Temperature	-40 degrees to +85 degrees

Model No.	Rated Current @ 40°C	Application	System Impedance		Insertion Loss	
			Balanced L-L (ohm)	Unbalanced L-G (ohm)	Pass Band	Stop band (100dB Min)
058.00001.00-E	2 X 0.5 A	Telephone Filter	600.0	300.0	0.5dB 0-3KHz, 1.5db 5KHz Cut off frequency 6KHz, 3dB	20 KHz-10 GHz
058.10001.00-E	2 X 0.5 A	Data Filter	--	--	1.0dB 0-15KHz, Cut off frequency 23KHz, 3dB	150KHz- 10 GHz
058.10101.00-E	2 X 1.0 A	Control Line Filter	--	--		14 KHz- 10 GHz
058.10102.00-E	2 X 1.0 A	Alarm Filter	--	--		14 KHz- 10 GHz

● 058 Mechanical Outlines For reference only



LCR 058 Filter (single unit enclure)

All dimensions in mm, 1 inch=25.4 mm

- Terminal Interface: the input on all filters are equipped with solderable flag terminals accessed through 7/8" knock-outs and removable shielded cover. The output terminals are perwired with 18" flexible cables extended out through the threaded conduit pipe.
- Other specifications, requirements and customization can be provided upon request.